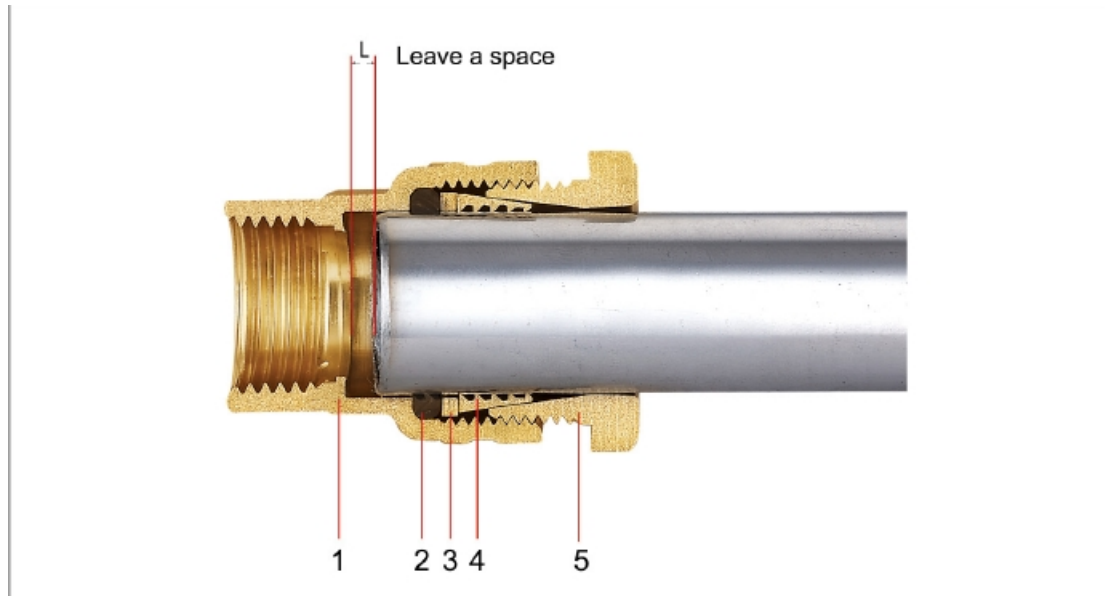


HS170 Brass compression fitting for iron tube

HONSON HS170 Brass Compression Fittings for iron tube are specifically designed for use on water distribution.

Structure



Item	Designation	Materials
1	Body	MS58 by hot forging
2	O-ring	NBR
3	Washer Ring	A3
4	Compression (C-Ring)	MS58
5	Nut	MS58 by hot forging

Features

- Ideal for use in plumbing system
- Available from 21mm to 61mm.
- Adaptable for iron tube
- Min and max Temp: -10°C to + 80°C
- Max Pressure PN: 16 bar (PN-16)

- Marked for full traceability

Assemble instruction

1. Cut the pipe with suitable tool perpendicularly.
2. Remove any trimming carefully.
3. Place the nut, the compression ring, the washer ring, O-ring on the pipe with extremely smooth
4. Insert the pipe fully into all accessories.
5. Place the pipe with all the components inside the body up to the mechanical stop.
6. Tighten the nut by hand first then tighten the nut with suitable tool.

Security rules

1. Personnel who performing the work must be able and take care for hand tools used, as well as being able to identify the hazards and risks associated with different assembly steps.
2. Choose always the right tool for each work.
3. Use always tools with good quality and well maintained.
4. Avoid environments that make the assembly more difficult.
5. Follow the assembly instructions in this document.