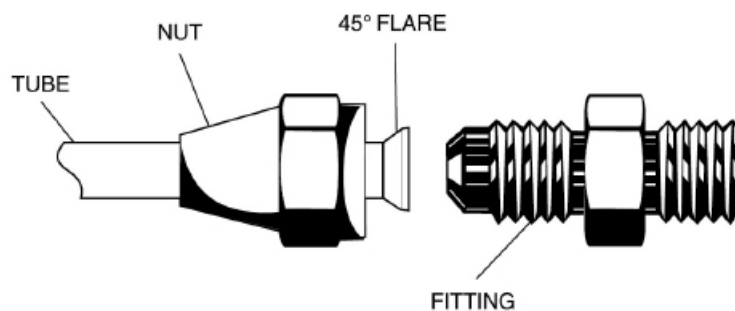


HS260 Brass Flare Fittings

We offer a wide variety of flare fittings including Standard 45°, inverted 45°, POL, Gas Range, and Fine thread (9/16" x 24) for space heater applications.

Flare fittings are designed for higher pressure applications and are commonly used for gasoline, grease, oil, water, vacuum, air lines and natural gas. Flare fittings can also be used for refrigeration, air conditioning, and other applications involving hard to hold liquids and gases using forged nuts.

Recommended for use with copper, brass, aluminum, and welded steel hydraulic tubing that can be flared. Not recommended for use with polybutylene or soft plastic tubing.



Installation Instruction

Cut tube square and put nut onto tube. Flare tubing with 45° flaring tool and hand tighten nut over flare and onto fitting body. Then tighten it with wrench for positive metal-to-metal seal. Do not over tighten.

Features

- Working Temperature: -65°F to 250°F
- Working Pressure: Temperature and type of tubing must be considered for proper fitting selection.
- The following is based on 70°F with copper tube. POL and Gas fittings have a maximum working pressure of 250psi.

Copper Tube OD	Tube Wall Inches	Psi(Flare Fittings)
1/8"	0.030	2800
3/16"	0.030	1900
1/4"	0.030	1400
5/16"	0.032	1200
3/8"	0.032	900
1/2"	0.032	700
5/8"	0.035	640
3/4"	0.035	550
7/8"	0.035	450

Thread Sizes

Fitting	45° and Inverted	POL	Gas	Fine Thread
1/8"	5/16"x24			
3/16"	3/8"x24			
1/4"	7/16"x24	.880-14LHTX1/4"F		9/16"x24
5/16"	1/2"x24			
3/8"	9/16"x24	.880-14LHTX3/8"F		9/16"x24
7/16"	5/8"x24			
1/2"	11/16"x20	.880-14LHTX1/2"F	5/16"x1/2"	
5/8"	13/16"x18		5/16"x5/8"	
3/4"	1"x18		5/16"x3/4"	
7/8"	11/8"x18			